

Real 75 Ohm BNC connectors for HDTV Broadcast Applications Incorporates Pathfinder™ Feature

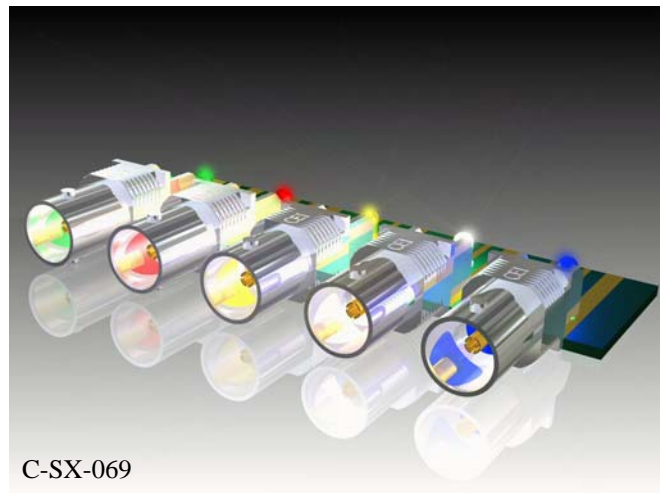
Cambridge Connectors' latest addition to its 75 ohm BNC connector range for HDTV broadcast applications incorporates a novel "light pipe" feature that assists in easy identification of ports.

Real 75 Ohm BNC connectors for HDTV Broadcast Applications

Low profile (4mm centre) right angle PCB mounting

Pathfinder™ feature for colour coding of ports

- **Light pipe allows colour coding of ports**
- **Ideal for low ambient light conditions**
- **Assists in the correct identification of port functions**
- **Can be used to indicate fault status**



A common dilemma when using broadcast routing and switching equipment is the correct identification by the user of the ports in an array of several hundred connectors. This is made all the more difficult where the ambient light level is low. By means of backlighting techniques, Cambridge Connectors' C-SX-069 Pathfinder™ BNC connector facilitates port identification and status whilst maintaining high connector panel densities. The connector's innovative construction and insulator material, not only provides the necessary characteristics for 3G SDI signals, but also acts as a light pipe to transmit light (typically from a PCB mounted LED) from the back of the connector to the front. By using different colours the function and status of each port can be clearly indicated; with the use of self monitoring circuitry it is even possible to indicate failures to the operator.

Designed specifically for the broadcast industry for use in HDTV serial video applications where true 75 ohm performance is essential, this right angle BNC connector also offers a low profile (4mm) permitting close packing densities of daughter boards and a reduction in the bulk of switching and routing equipment. It is fully RoHS and 3G SDI compliant.

Real 75 Ohm BNC connectors for HDTV Broadcast Applications
Low profile (4mm centre) right angle PCB mounting
Pathfinder™ feature for colour coding of ports

Features

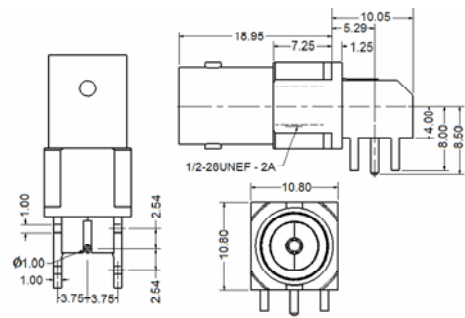
- Real 75 Ohm BNC Connector
- Designed for HD SDV applications
- Low profile allows higher wiring densities
- RoHS Compliant
- Real 75 ohm BNC patch leads also available

General Description

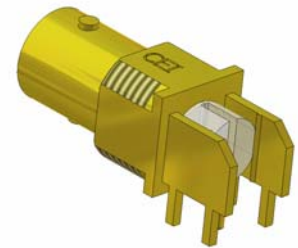
BNC, female, low profile, right angle PCB mounting 75 ohm connector. Tailored geometry design coupled with judicious use of appropriate raw materials ensures that Real 75 ohm performance is achieved.

Applications

It is particularly suitable for the broadcast industry for use in HDTV, Serial Video applications where Real 75 ohm connectivity is essential. With a centre line of 4mm above the board, its low profile permits closer packing densities of daughter boards, which allows reduction in the bulk of routing and switching equipment.



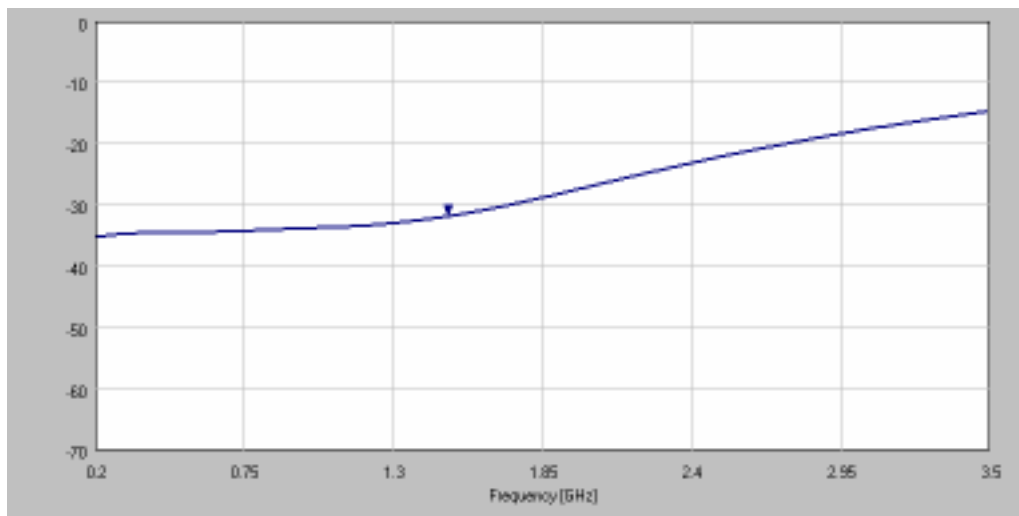
Specification		
Electrical		
Impedance		75 Ohm
Frequency Range		0 – 3.0 GHz
Working Voltage		500 V _{rms}
Dielectric Withstanding Voltage		1500 V _{rms}
Reflection Factor (VSWR)		1.06 (Max) DC-1.5GHz 1.33 (Max) 1.5 GHz–3.0 GHz
Contact Resistance		Centre contact 1.5 m ohm Outer contact 1.0 m ohm
Insulation Resistance		> 5000 Meg Ohm
*Materials		
Centre Pin		Phosphor Bronze / 10µ " Au
Metal Parts		Brass / Nickel
Insulators		TPX



C-SX-069

* Other materials such as Gold Plating (as illustrated) are available to customer requirement.

Return Loss Graph
 (measurements include PCB mounting)
 Return loss @ 3.0 GHz -17.0 db max
 Return loss @ 1.5 GHz -31.0 db max



For more details contact our applications engineers on: Tel: 01223 860041 Fax: 01223 863625
 Email: technical@cambridgeconnectors.com Web site www.cambridgeconnectors.com