

Press Fit Power Contacts (30A)

Newly developed high power flexible press-fit contacts, with a power rating of up to 30 amps, are now available from Cambridge Connectors. They can be used as single contacts as well as with DIN41612 and D-Subminiature connectors with mixed layouts.

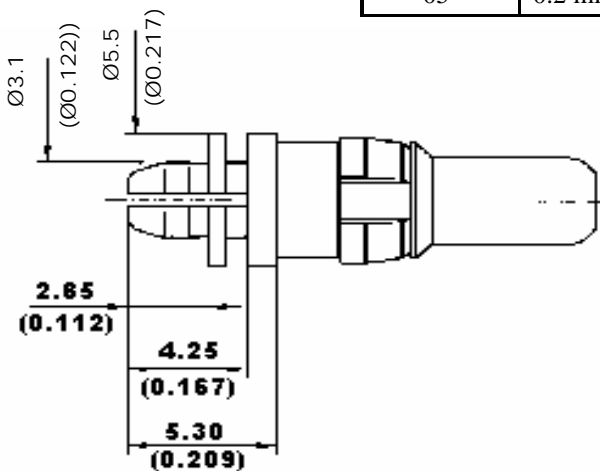
In addition to the exceptional 30 amp power capability the other unique feature of these contacts is the flexible nature of the press-fit. This offers the benefit of a relatively low insertion force of between 80-100N thereby protecting the PCB which may be populated with expensive components. Additional benefits are general PCB drilling tolerances of between 2.8 - 3.0mm and the ability to fit a wide range of PCB thicknesses including multilayer PCB's.



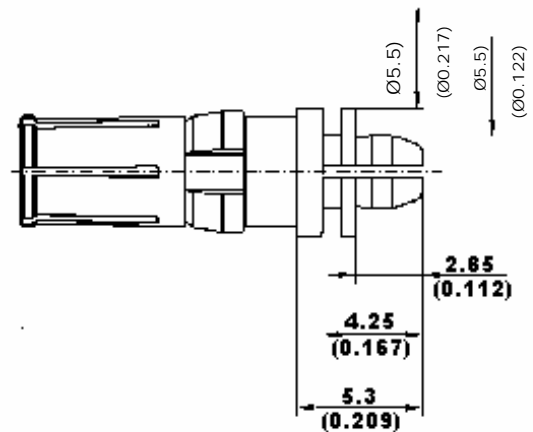
High Power Contacts - PCB Termination

Current Rating	Type	Plug	Socket
30A	Straight Press Fit	31D-0277-**	31D-0278-**
30A	R/A Press Fit	31D-0299-**	31D-0300-**

Code Suffix	Mating Area	Termination Area
** = 09	0.8 micron Au	1 micron Sn
** = 05	0.2 micron Au	1 micron Sn



Press Fit Plug



Press Fit Socket

