



NEW PRODUCT RELEASE C-SX-086G

Real 75 Ohm DIN 1.0/2.3 R/A co-axial connector for 3G-HD Serial Digital applications.

This true 75 ohm 1.0/2.3 connector has been engineered by Cambridge Connectors to operate in 3G-SDI broadcast environments where its 8 mm pitch profile makes it invaluable in high density wiring applications such as routing and switching equipment.

- For use in SDI, HDI, 3G-SDI digital broadcast applications
- 8mm pitch for high density wiring
- Latching style for secure connections
- Already used in broadcast industry
- RoHS Compliant

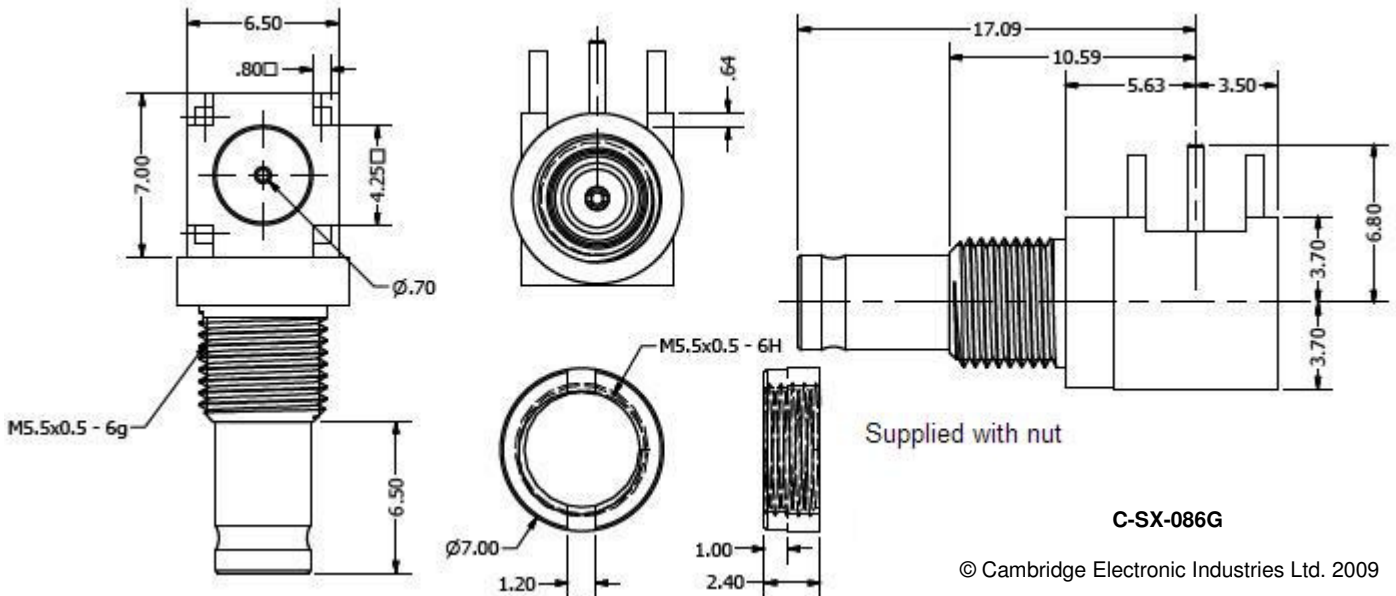
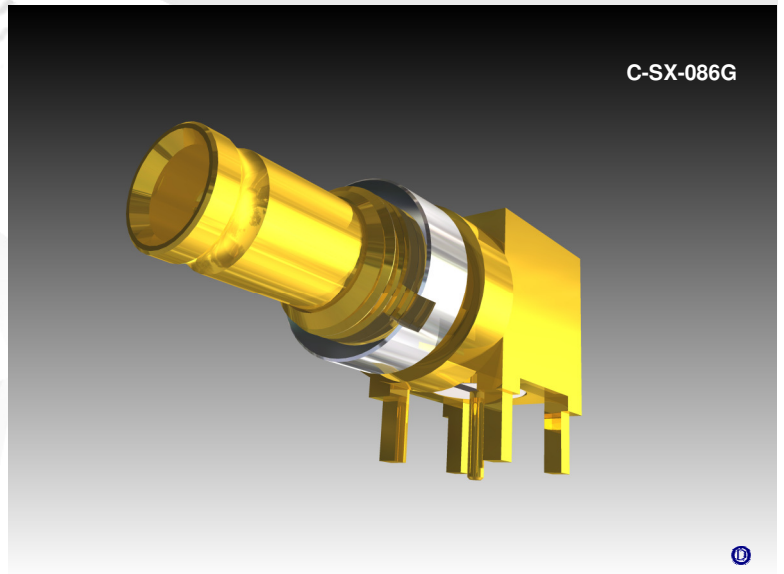
Specification - Part Number C-SX-086G

Electrical

Impedance	75 Ohm
Frequency Range	0 - 3.0 GHz
Working Voltage	250 Vrms
Dielectric Withstanding Voltage	750 Vrms
Reflection Factor (VSWR)	1.22 ^(Max) DC-1.5GHz 1.44 ^(Max) 1.5GHz—3.0 GHz
Contact Resistance	Centre Contact 4.0 m ohm Outer Contact 2.5 m ohm
Insulation Resistance	> 1000 meg ohm

Materials

Centre Pin	Be Cu / 10u" Au
Insulators	PTFE
Body finish	Standard — Gold Plating



© Cambridge Electronic Industries Ltd. 2009

Cambridge Connectors™

A division of Cambridge Electronic Industries Ltd.

Denny Industrial Centre, Waterbeach, Cambridge, England, CB25 9QR

Tel: +44 (0)1223 860041 Fax: +44 (0)1223 863625

Email: sales@cambridgeconnectors.com Web: www.cambridgeconnectors.com

Connector Design Right Protected

Cambridge Connectors and the globe symbol are trademarks of Cambridge Electronic Industries Ltd., Cambridge, England.

© Cambridge Electronic Industries Ltd. 2008 –2009

