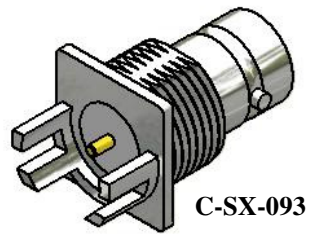


**Precision 75 Ohm Mini BNC connectors for 3G SDI Broadcast Applications**  
**Edge card mounting**



C-SX-093

**Features**

- For use in SDI, HDI, 3G-SDI digital broadcast applications
- 12mm pitch for increased wiring densities
- PCB edge mounting style minimises signal path discontinuities

**General Description**

Mini BNC female bulkhead precision 75 ohm PCB edge mounting low profile connector.

**Applications**

Designed for SDI, HDI and 3G-SDI digital broadcast use, the 12 mm pitch and low profile edge mounting style makes this Mini BNC invaluable in high density wiring applications such as Outside Broadcast routing and switching equipment

**Specification -**

**Electrical**

Impedance	75 Ohm
Frequency Range	0 - 3.0 GHz
Working Voltage	300Vrms
Dielectric Withstanding Voltage	1500Vrms

Reflection Factor (VSWR)

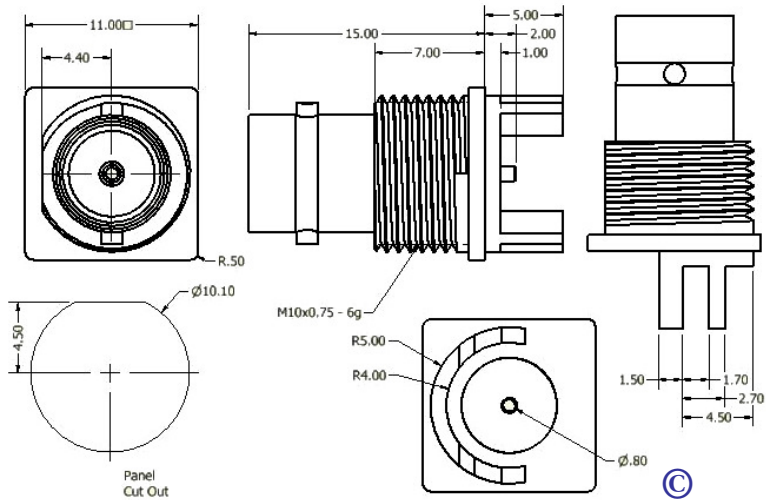
DC—1.5GHz	1.05 (Max)
1.5—3.0GHz	1.06 (Max)

Contact Resistance Centre Contact

12.0 m ohm

Insulation Resistance

> 1000 meg ohm

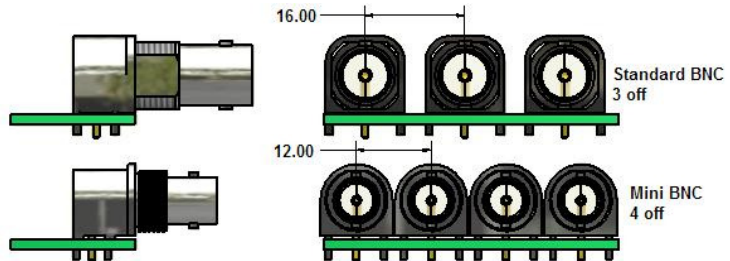


**Materials**

Centre Pin	Phosphor Bronze / 10u" Au
Body finish	Standard — Brass/Ni
Insulators	PTFE

**Environmental**

Temperature Range	- 65 to +85° C
Mating Cycles	500



Comparison between BNC and Min BNC connectors

