

**Precision 75 Ohm 1.0/2.3 connectors for 3G SDI Broadcast Applications
Top Entry PCB mounting**



C-SX-097G

Features

- For use in SDI, HDI, 3G-SDI digital broadcast applications
- 8mm pitch can double wiring densities
- Latching style provides added connection reliability

General Description

1.0/2.3 female straight top entry precision 75 ohm PCB edge mounting low profile connector.

Applications

In addition to SDI, HDI and 3G-SDI digital broadcast use, this straight top entry 1.0/2.3 connector is ideal for industrial process control, data acquisition and high speed communication applications where high wiring densities are crucial.

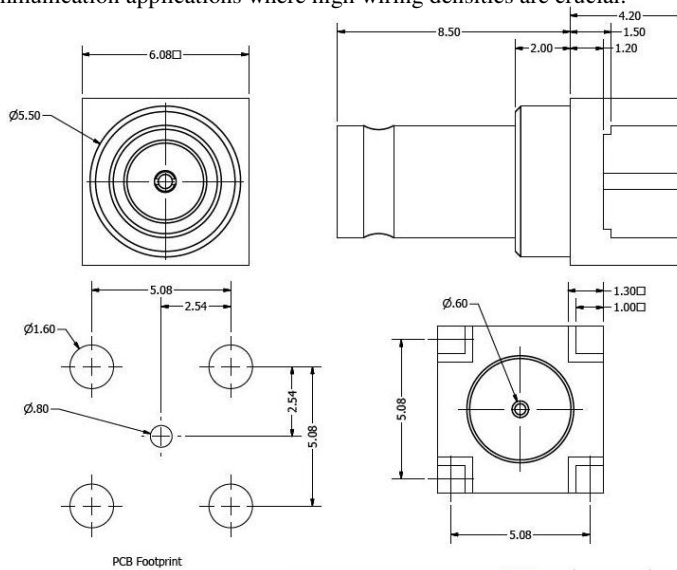
Specification -

Electrical

Impedance 75 Ohm
 Frequency Range 0 - 3.0 GHz
 Working Voltage 250Vrms
 Dielectric Withstanding Voltage 750Vrms

Reflection Factor (VSWR)
 DC—1.5GHz 1.03 (Max)
 1.5—3.0GHz 1.06 (Max)

Contact Resistance Centre Contact 4.0 m ohm
 Insulation Resistance > 1000 meg ohm

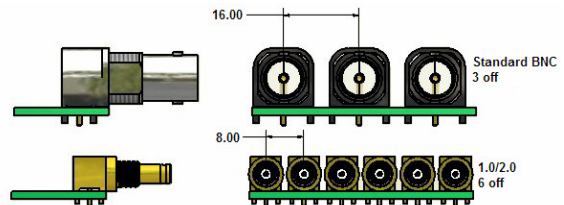


Materials

Centre Pin BeCu / 10u" Au
 Body finish Standard — Brass/Au
 Insulators PTFE

Environmental

Temperature Range - 65 to +85° C
 Mating Cycles 500



Comparison between BNC and 1.0/2.3 connectors

