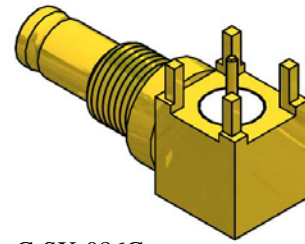


**Precision 1.0/2.3 connectors for 3G SDI Broadcast Applications
Right Angle PCB mounting**



C-SX-086G

Features

- Meets SMPTE 424M Standard
- 8mm pitch can double wiring densities
- Latching style provides added connection reliability

General Description

1.0/2.3 female bulkhead precision 3G Right Angle PCB connector.

Applications

In addition to SDI, HDI and 3G-SDI digital broadcast use, this right angle 1.0/2.3 connector is ideal for industrial process control, data acquisition and high speed communication applications where high wiring densities are crucial.

Specification -

Electrical

Nominal Impedance 75 Ohm
 Frequency Range 0 - 3.0 GHz
 Working Voltage 250Vrms
 Dielectric Withstanding Voltage 750Vrms

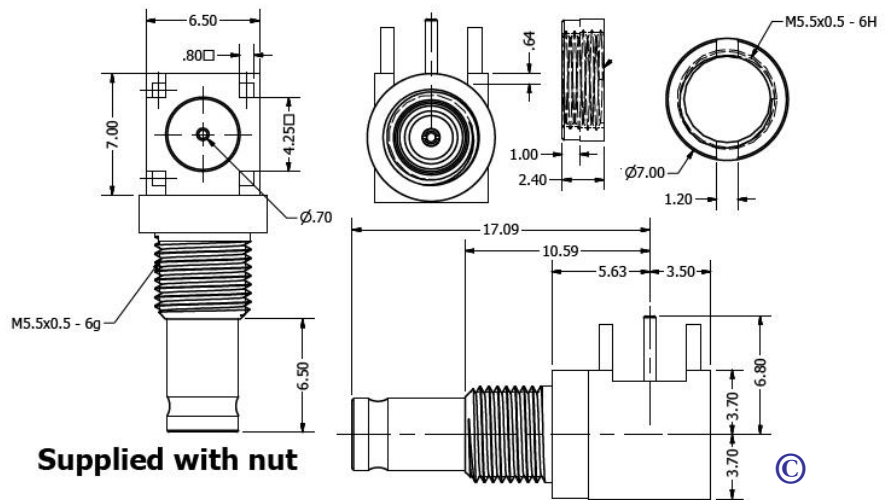
Reflection Factor (VSWR)

DC—1.5GHz 1.22 (Max)
 1.5—3.0GHz 1.28 (Max)

Contact Resistance

Centre Contact

4.0 m ohm
 Insulation Resistance > 1000 meg ohm

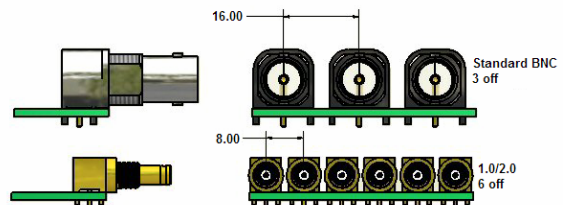


Materials

Centre Pin BeCu / 10u" Au
 Body finish Standard — Brass/Au
 Insulators PTFE

Environmental

Temperature Range - 65 to +85° C
 Mating Cycles 500



Comparison between BNC and 1.0/2.3 connectors

